

↑ FOOT LIFT

left, right

Foot ascender to improve rope ascending in a rope access. Used in conjunction with LIFT and CAM CLEAN.

DESCRIPTION

Durable construction with stainless cast steel.

Fully adjustable webbing to achieve the best comfort of use.

Marked with unique production number.

Available in left and right version.

Lower part is reinforced with tubular webbing for longer use.



Quick and easy to adjust with Oring.

Stainless steel toothed cam for higher corrosion resistance and for any conditions (frozen or dirty ropes).

Cam/lever mechanism fully integrated into the body.

For use with Ø 8–13 mm ropes, static and dynamic.

KEY FEATURES

- unique number
- quick and easy to adjust

STANDARDS

FOOT LIFT is not a PPE

FEATURES



120 kg



Ø 8–13 mm



160 g / 5.6 oz



unique number



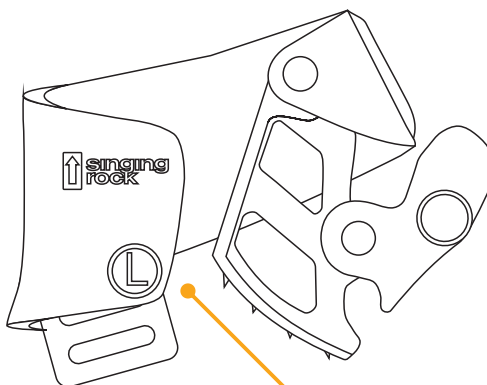
3 YEARS warranty

MATERIALS



- 50 % steel
- 30 % light alloy
- 20 % PA

TECHNICAL DATA



For use with Ø 8–13mm ropes

